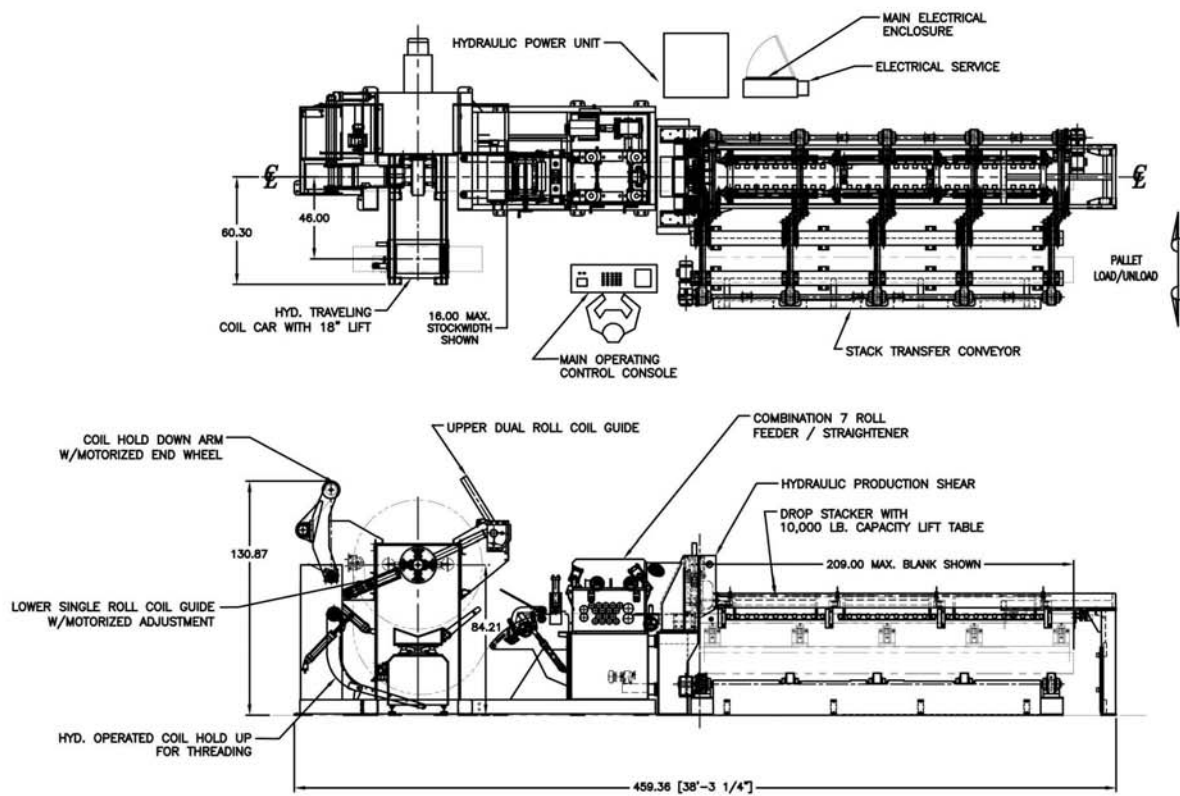
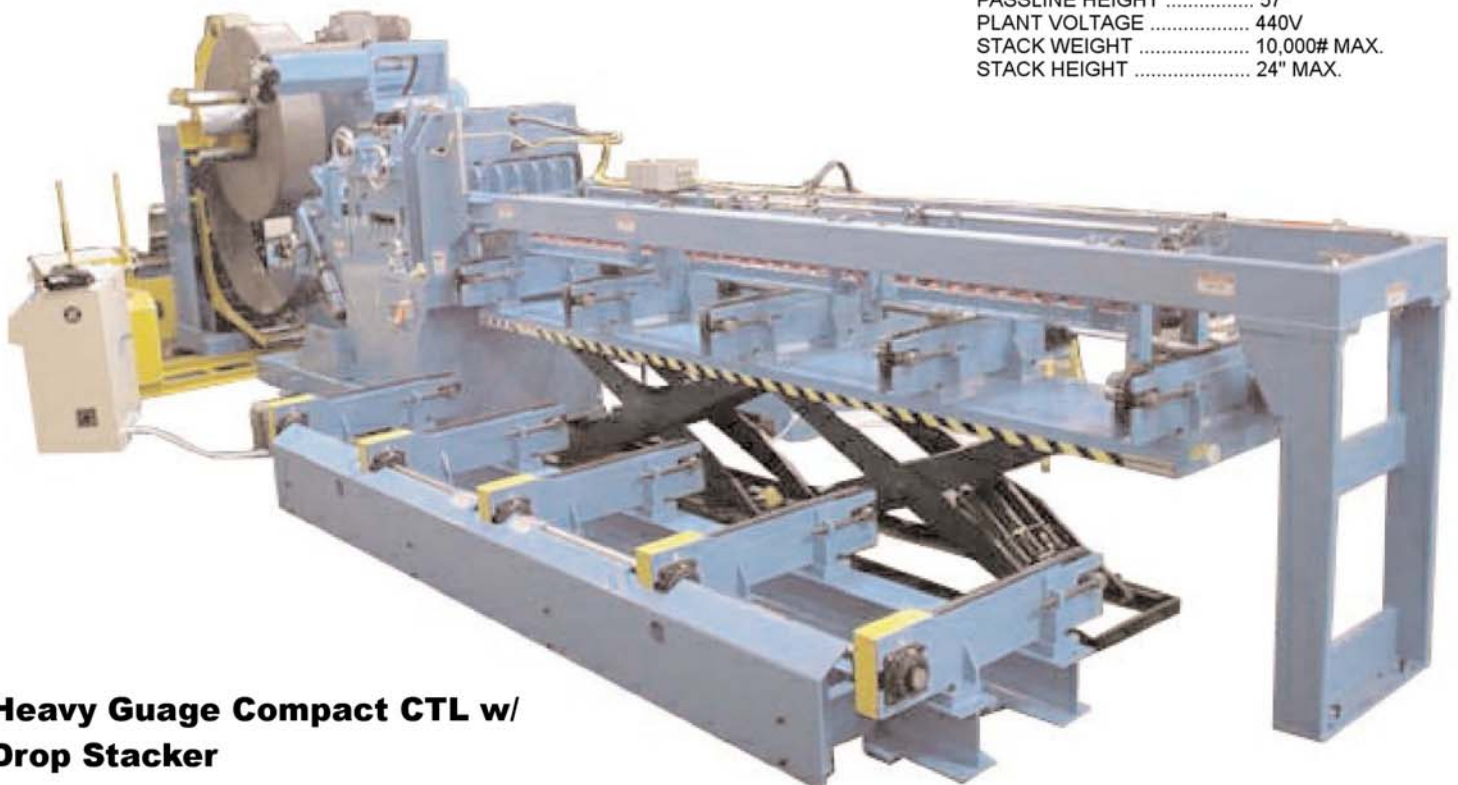


Cut-to-Length Line - Automotive Stamper



SPECIFICATIONS

COIL WEIGHT	15,000# Max
COIL WIDTH	12" TO 64" MAX.
COIL I.D.	20" NOMINAL
COIL O.D.	72" MAX.
MATERIAL THICKNESS250" MCRS MAX.
FEED LENGTH ACCURACY...	+/- .005"
LINE SPEED	180 FPM
PASSLINE HEIGHT	57"
PLANT VOLTAGE	440V
STACK WEIGHT	10,000# MAX.
STACK HEIGHT	24" MAX.



**Heavy Gauge Compact CTL w/
Drop Stacker**